



# LINEA PIXEL2



<b>IP67</b>	<b>CRI ≥80</b>	<b>CE</b>	<b>RoHS</b>
-------------	----------------	-----------	-------------

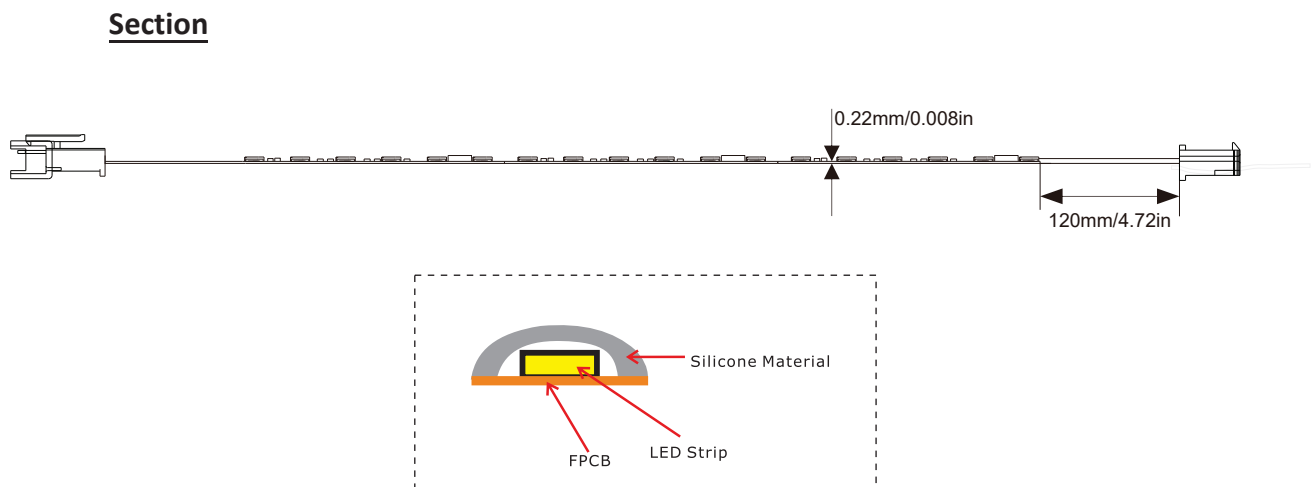
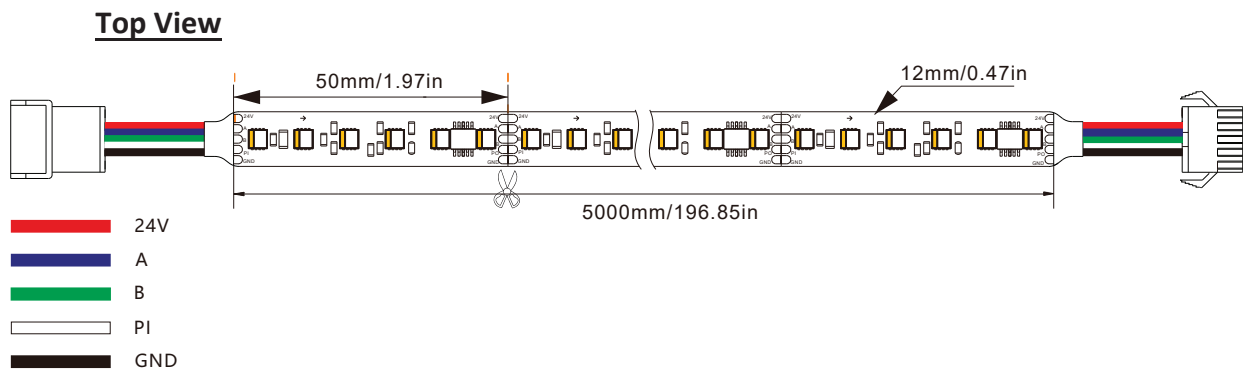


LINEA PIXEL2 is ELTON's LED strip consists of low powered SMD Chips. Linea strip is an efficient and a cost effective option, suitable for external decorative architectural application.

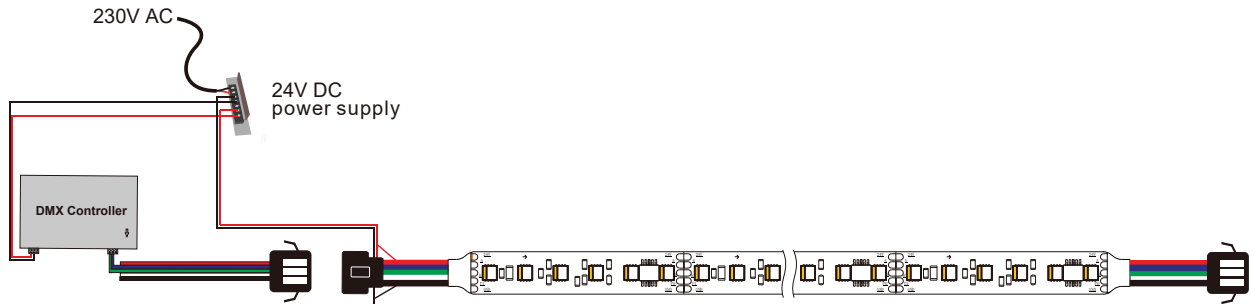
## Features

- > Available in 24V DC maximum
- > Very bright RGBW Pixel Solution
- > Operating temperature:  $-20^{\circ}\text{C}$  to  $+50^{\circ}\text{C}$
- > Adhesive back, peel & stick.
- > Compatible with DMX512 control
- > IP67 (Outdoor use)

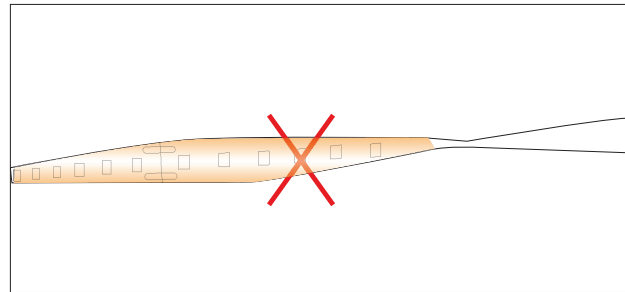
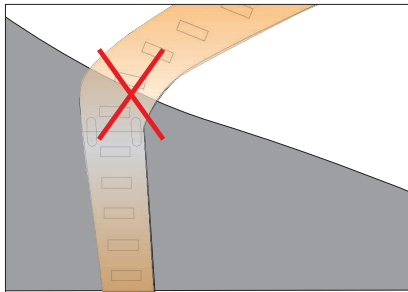
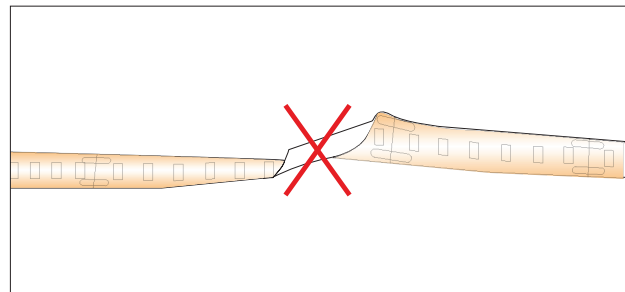
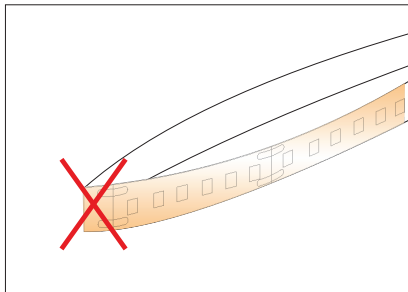
## Dimensions



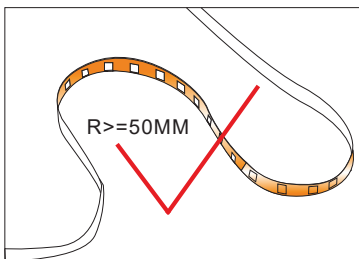
**Installation**



**Bend(Wrong Method)**

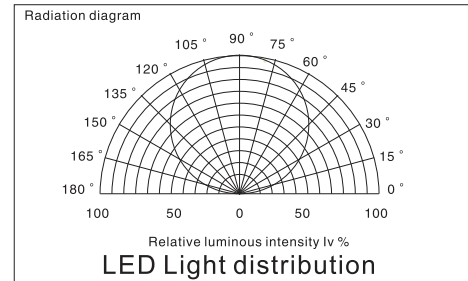


**Bend(Right Method)**



## Parameters

DC Input Range	DC 24V
LED Quantity	120/m SMD3535
CRI	>80
Lumen	Red - 158lm/m, Green - 368lm/m Blue - 74lm/m, White - 396lm/m
Color Range	RGBW(3000K(WW)/4000K(CW)/6000K(NW))
Beam Angle	Wide beam
Wattage/ Pixels	24W/m & 20 Pixels/m
Lifetime(Hr)	50,000h
Working Temp.	-20 to +50°C
Storage Temp.	-25to +65°C
Ingress Protection	IP67
Control	DMX512
Warranty	5 years



## Ordering Info.

