

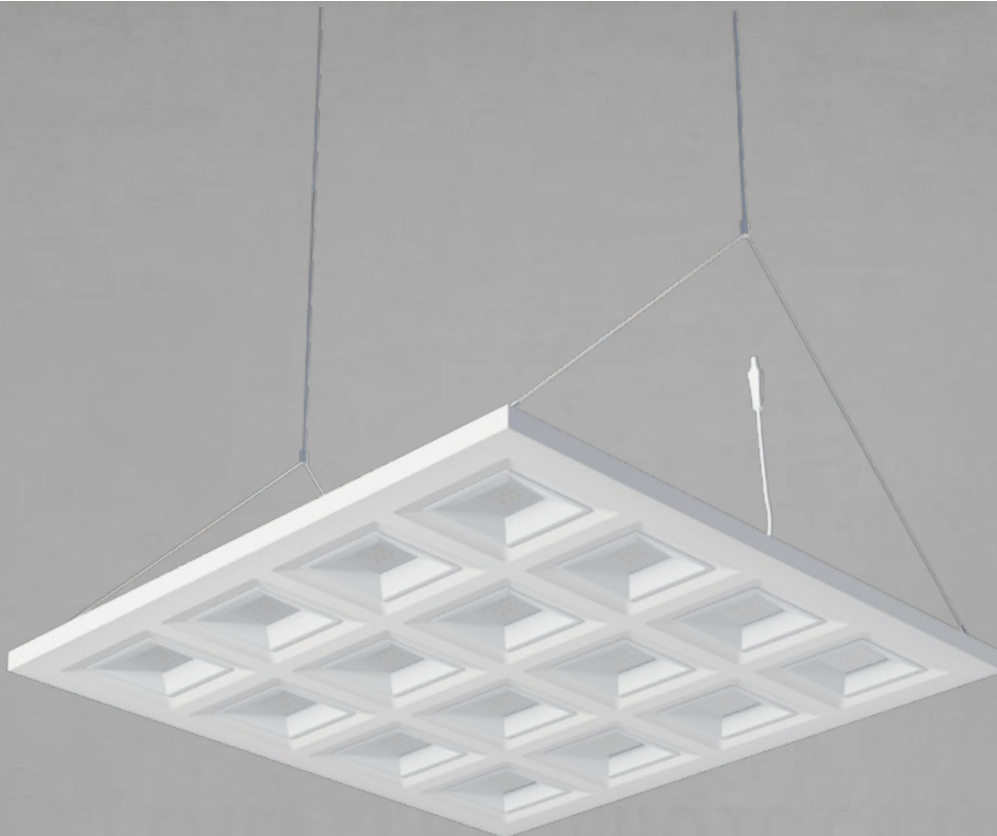


*Lighting your ways..*

# MATRIX II

LED PANEL

**IP20** **UGR<19** **CRI ≥80** **CE** **RoHS**



**MATRIX II** is ELTON's Panel Light with stronger frame structure. Structure material is made of SPCC and back plate made of SECC. Powder coated to RAL9003. White PC reflector cup produce uniform light and high lumen output. It can fits seamlessly into any work place, available in various installation ways like recessed and suspended.

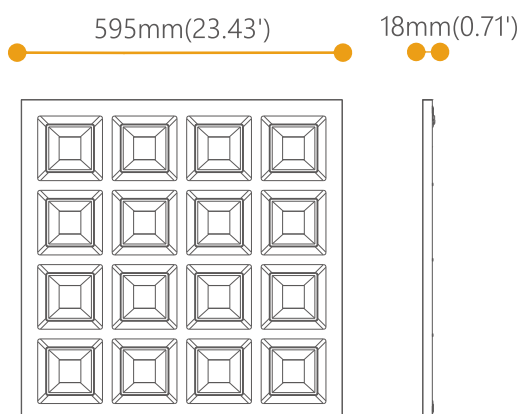
## Features

- > Stronger structure.
- > UGR<19 high lighting efficacy.
- > SDCM<3, IP20.
- > Recessed/Suspended mounting available.

## Application Areas

- > Classroom.
- > Office.
- > Shopping mall.
- > Meeting room.

## Dimensional Drawing



Mounting options



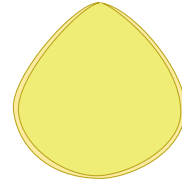
Length	Width	Height	Code
595	595	18	6060

## Parameters

AC Input Range	200-240 V (50/60Hz)
Power	36W
LED Type	Everlight 2835
CRI	>80
Installation*	Recessed/Suspended
CCT Range	3000K, 4000K, 5000K, 6000K
Lumens *	130 lm/W
Beam Angle	90°
Power Factor	≥0.9
Lifetime(Hr)	50,000h
Working Temp.	-20 to +45°C
Storage Temp.	-20 to +65°C
Ingress Protection	IP20
LED Driver	Philips
Finish	RAL9003
Warranty	5 years

### Light Distribution Curve

90deg



### Accessories



Protection wire



Spring

\*Luminous flux is 130lm/W . There will be variations in lumen output relative to the color temperature used.

\*Installation accessories to be order separately .

## Ordering Info.

