

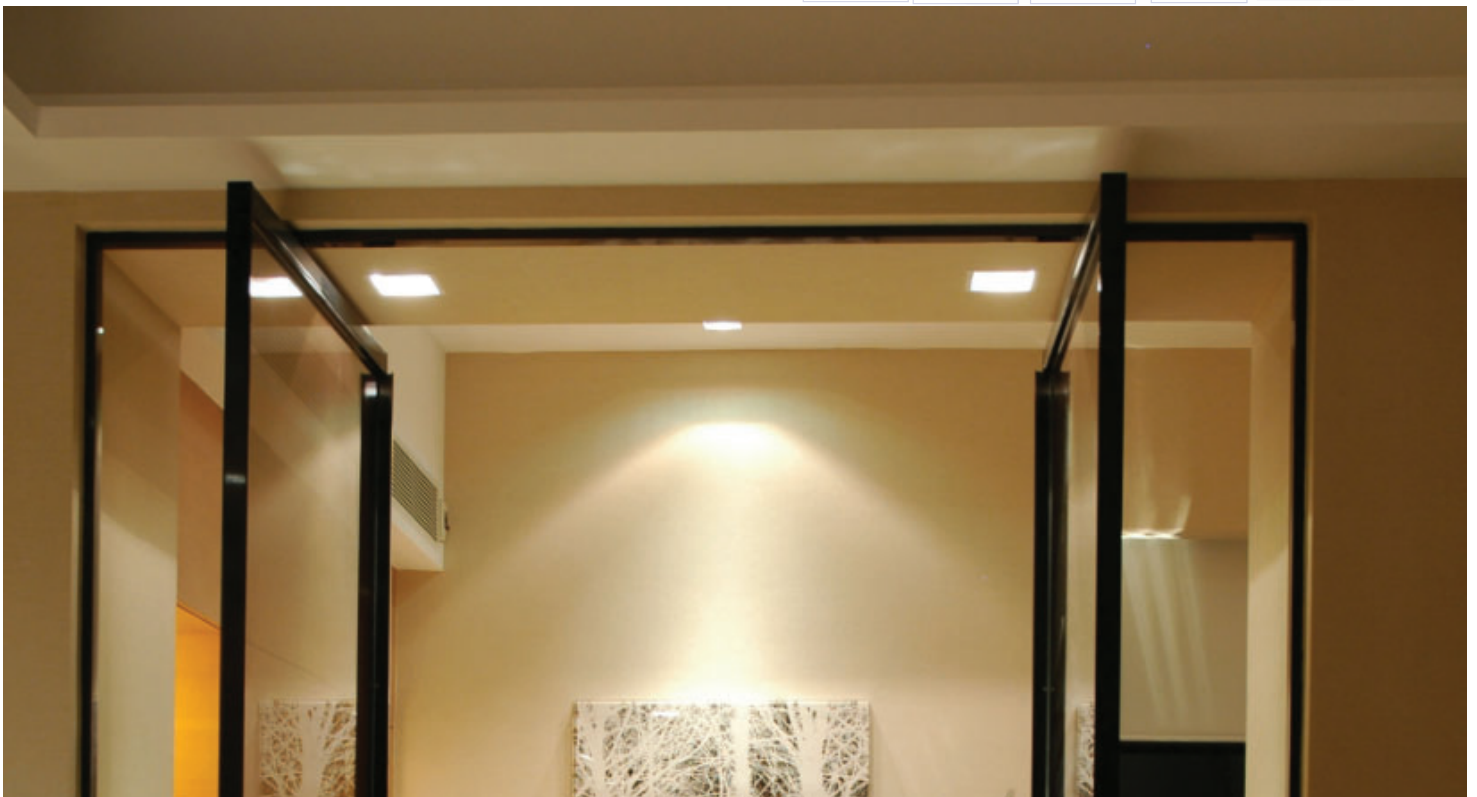


GLIZZY

RECESSED SQUARE DOWN LIGHT



IP54 **PF 0.9** **CRI ≥80** **CE** **RoHS** 



GLIZZY is ELTON 's Recessed square downlight designed with high quality light and superior efficiency. Luminaire body made of die-cast aluminum and PMMA diffuser for interior architecture lighting. Triac dimmable, 0-10V dimmable and DALI dimmable version share great popularity by the excellent dimming effect.

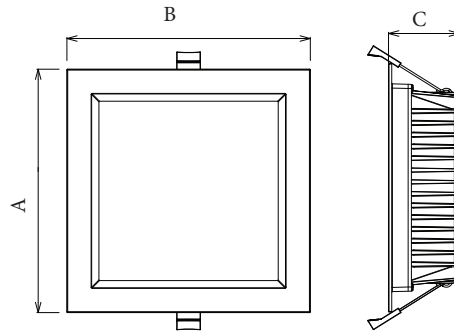
Features

- > No UV/IR light.
- > Environment friendly, without Mercury or any other hazardous substances.
- > Up to 70% energy saving compared to standard CFL.

Application Areas

It is designed for general lighting applications in office, supermarket, shop, school, hotel, etc. It is also widely used for public areas, such as stairway, lobby, reception, corridors etc.

Dimensions



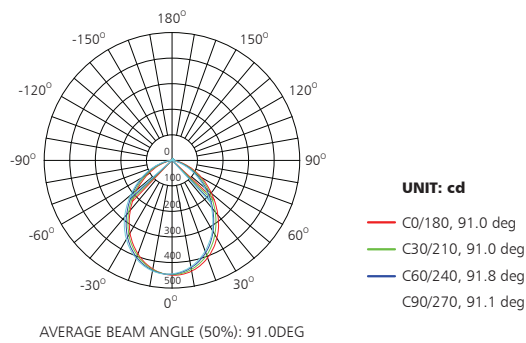
Watt	Dimension(mm)			Cut Out(mm)
	A	B	C	
13W	110	110	44	90-95 x90-95
25W	190	190	54	165-170x165-170

Parameters

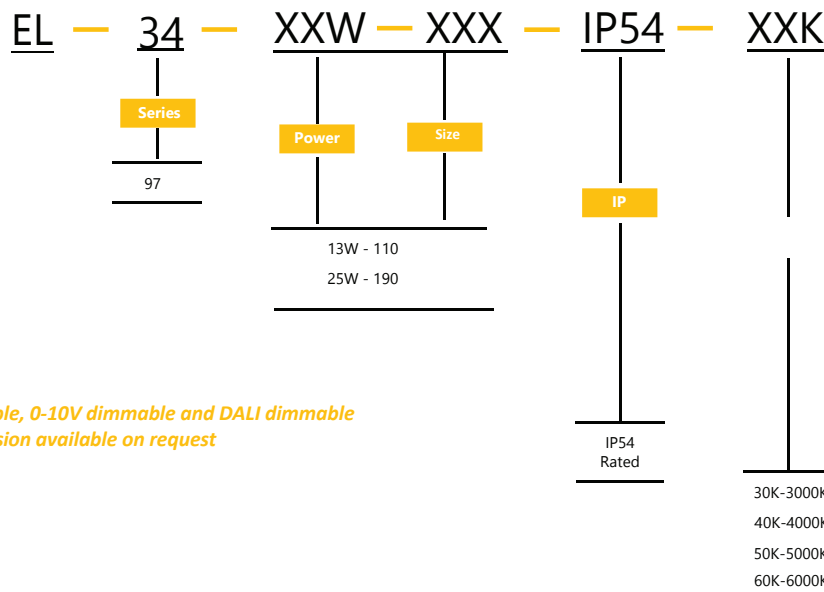
Power (W)	Color Temperature	Lumens (Non-DIM) (Lm)	Lumens (DIM) (Lm)
13	3000K	920	880
13	4000K	930	890
13	5000K	935	910
13	6000K	940	920
25	3000K	2000	1920
25	4000K	2239	2136
25	5000K	2300	2200
25	6000K	2280	2180

AC Input Range	200-240 V (50/60Hz)
LED	SMD
CRI	>80
Installation	Recessed
CCT Range	3000K, 4000K, 5000K, 6000K
Beam Angle	90°
Protection Class	Class II
Lifetime(Hr)	50,000h
Working Temp.	-20 to +45°C
Storage Temp.	-20 to +65°C
Ingress Protection	IP54
LED Driver	Built -out
Warranty	5 years

Photometric Diagram



Ordering Info.



* Triac dimmable, 0-10V dimmable and DALI dimmable available version available on request