



HAWK W

SURFACE MOUNTED BULKHEAD LUMINAIRE



IP65

CRI ≥80

CE

RoHS



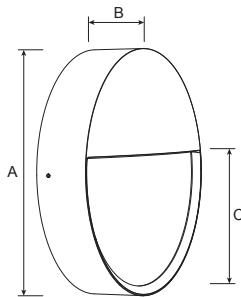
HAWKW is ELTON's Surface mounted LED Bulkhead luminaire for Outdoor use.

Luminaire body made of die-casting Aluminum and 94-V0 fire-rated PC cover. These lights are a perfect answer to complete your outdoor look.

Features

- > Round fixture, with 94-V0 PC cover.
- > Built-in LED driver.
- > Bright and energy saving .
- > High ingress protection rating:IP65 IK08, Class I.
- > Safe and Eco-friendly.
- > Zero Maintenance .

Dimensions



Code	Dimension(mm)		
	A	B	C
250	250	74	143

Installation

WARNING



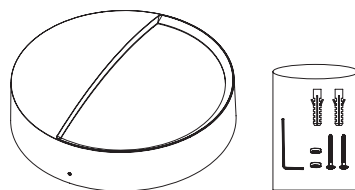
1. Switch off before installation.
2. Switch on only after complete installation and examination of the circuit.
3. Professional electrician for installation and maintenance only.



Turn Off
Power Supply

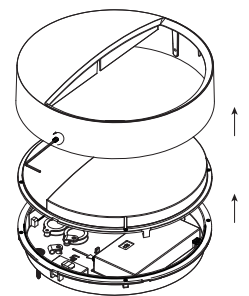
Turn Off power supply before starting any installation. Read instructions & check you have all the tools & accessories to complete the installation correctly.

Step 1



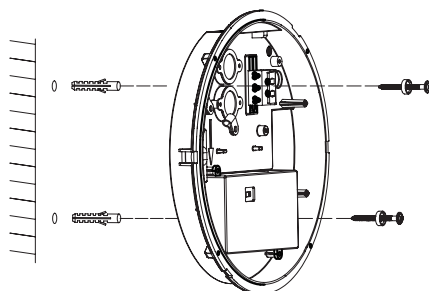
Take out the lamp and accessory.

Step 2



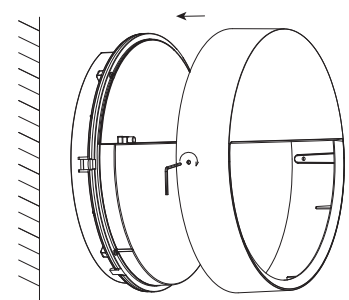
Make the frame, diffuser and back housing separately.

Step 3



Fix the back housing on the wall or ceiling by screws.

Step 4



Buckle the frame back and fix it by proper tools.

Parameters

AC Input Range	AC 220-240V
Input Frequency	50-60Hz
CRI	>80
Installation	Surface Mounting
CCT Range	3000K, 4000K, 5700K
Lumen	900-1100 lm
Beam Angle	110°
Finish Color	Black(RAL 9005)
Lifetime(Hr)	50,000h
Working Temp.	-20 to +50°C
Storage Temp.	-30 to +60°C
Ingress Protection	IP65
IK Rating	IK08
Protection Class	Class 1
LED Driver	Built -In

Ordering Info.

