



**ELTON**  
LIGHTING

*Lighting your ways..*

# FOCUS

LED SPIKE LIGHT



**IP66** **CE** **RoHS**



**FOCUS** is ELTON's Spike Light. Spike lights are an amazingly flexible form of outdoor lighting since you can reposition and adjust each one in order to best enhance the space as the seasons or your plantings change. Effective in even the smallest of gardens, they can be used to define pathways, highlight statues, shrubs and small trees, accentuate flower beds and water features, or throw light onto buildings. And as these LED spike lights are so exceptionally energy efficient you can afford to be generous with their use.

## »»» Features


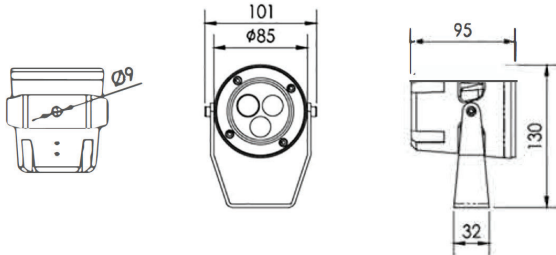

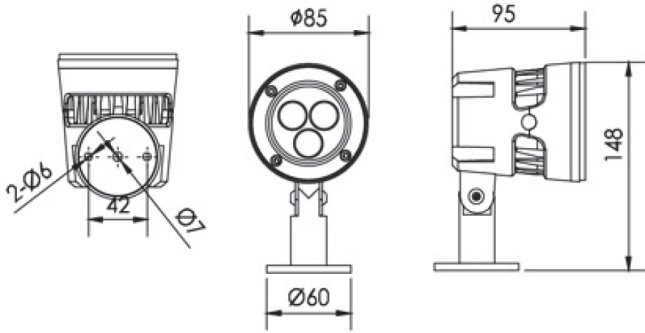

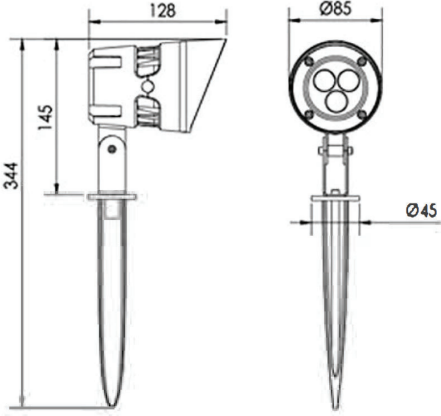
---

- > Patent owned design, fashion and beautiful appearance, adopt isolated two bodies design could have the separate heat dissipation fully ensure the stability and long lifespan of LED light.
- > With multi-way rotate function of round support or "U" support available to meet the various occasions demands for outdoor projects.
- > Light body adopts high pressure die-casting aluminum, surface with fluorine carbon spraying. Lampshade adopts high strength toughened glass, resist the impact and friction.
- > American CREE original LED light source, high flux output, excellent consistency of light color.
- > Constant current driver.



- 
- > Landscape
  - > Gardens
  - > Pathways
  - > Highlight statues, shrubs and small trees, accentuate flower beds and water features

»»» **Dimension**

Picture	Dimensional Diagram	Code
		<p><b>F1</b></p>
		<p><b>F2</b></p>
		<p><b>F3</b></p>

## Parameters

AC Input Range	100 – 264 V (50/60Hz)
Light Source	CREE
CRI Range	80
CCT Range	3000K/4000K/5000K
Light Efficiency	80lm/W
Beam Angle	120°
Working Temp.	-20 to +50°C
Storage Temp.	-40 to +85°C
Ambient Humidity	10%-90%
Waterproof	IP66
Waterproof	IP66
Lifetime	50000H

## Ordering Info.

