



ELTON
LIGHTING

Lighting your ways..

COPTOR-G2

LED HIGH BAY



IP66

IK10

CRI ≥70

CE

RoHS



COPTOR G2 ELTON's LED high-bay luminaire for highly difficult applications. Housing made of high quality, corrosion resistant aluminum alloy, corrosive resistant polyester powder coat finish.


Features

- > System Light Efficacy 160-65 Lumen per watt
- > Ultra Bright, Up to 96,000Lm
- > Flexible, Modular Design
- > Multiple Choice of Optical Lenses
- > Easy Installation & Maintenance
- > IP66

Application Areas

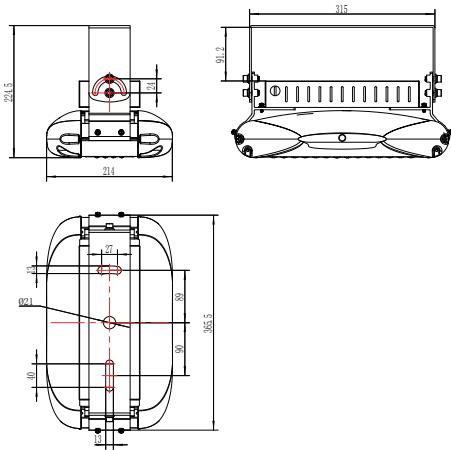
- > Warehouse/Manufacturing Facilities
- > Convention Centers/Sporting Arenas
- > Big-Box Retail Stores
- > Cold Storage Facilities
- > Gymnasiums

Dimensions

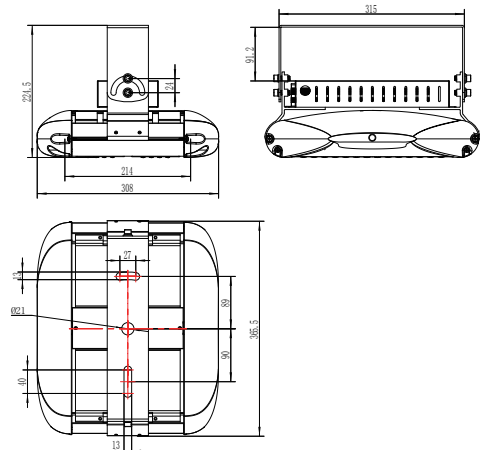
Picture	Code	Power	Modules	Efficacy	Total Lm	Net Weight	Product Dimensions
	221	120W	1	160LPW	19,200lm	5.4kg/11.9lbs	221x366x145mm 8.7x14.4x5.7in
	308	200W	2	165LPW	33,000lm	6.5kg/14.3lbs	308x366x145mm 12.1x14.4x5.7in
	402	300W	3	165LPW	49,500lm	7.5kg/16.5lbs	402x366x145mm 15.8x14.4x5.7in
	496	400W	4	165LPW	66,000lm	7.9kg/17.4lbs	496x366x145mm 19.5x14.4x5.7in
	590	600W	5	160LPW	96,000lm	12.5kg/27.6lbs	590x366x145mm 23.2x14.4x5.7in

Dimensional Drawing

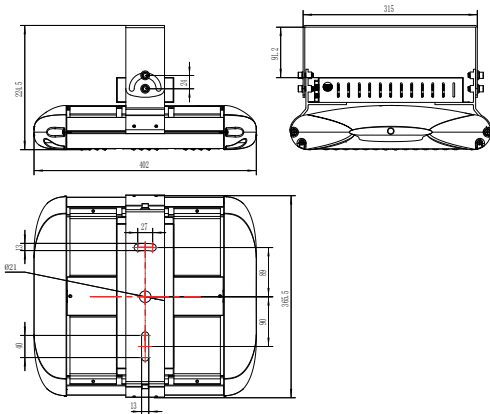
120W



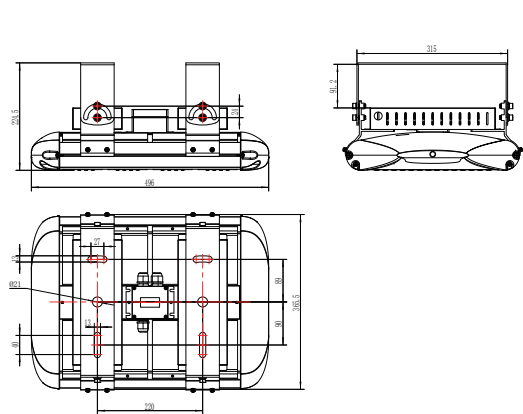
200W



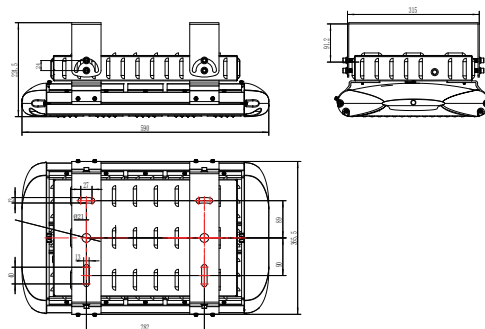
300W



400W

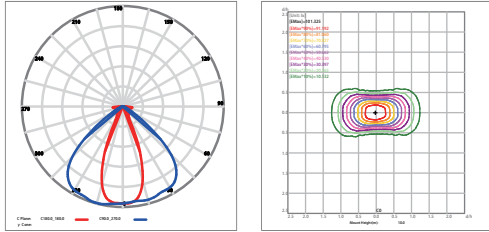


600W

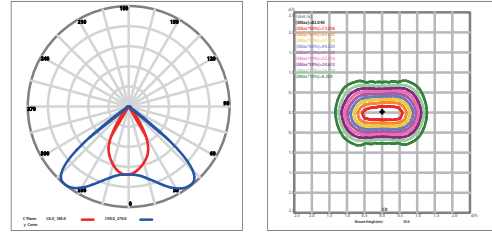


Photometry

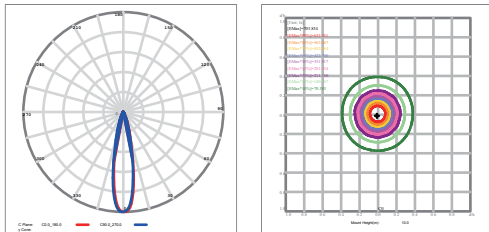
40×100°



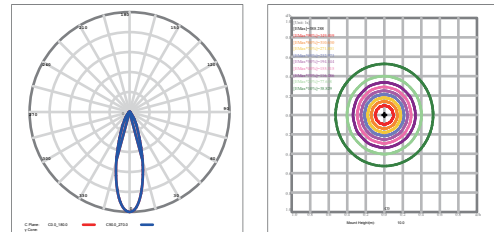
60×100°



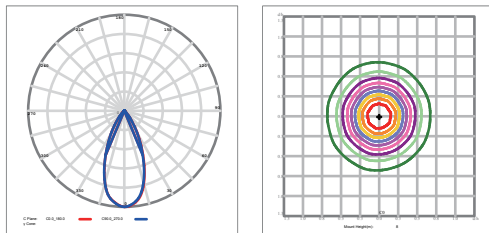
22°



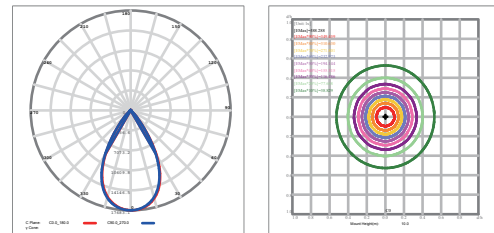
30°



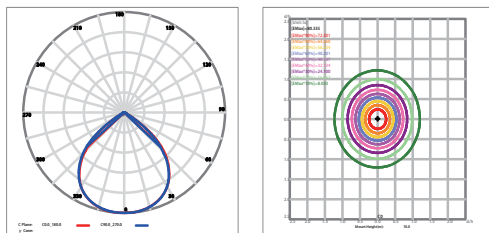
45°



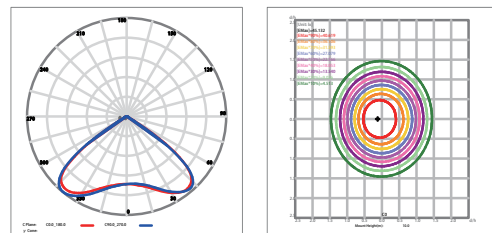
60°



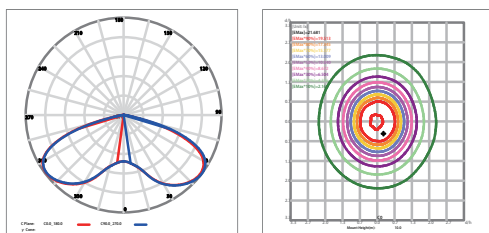
90°



110°



150°



Accessories

Image	Code	Description
	HR	Hang Ring
	UB	Universal Bracket(Standard)



Parameters

AC Input Range	100-277V (50/60Hz)
LED Chip	Philips Lumileds
CRI	>70
Installation	Pendent
CCT Range	3000K, 4000K, 5000K, 6000K
Lifetime(Hr)	150,000Hours(Calculated Using Tm-21 Calculator)
Working Temp.	-30 to +50°C
Storage Temp.	-40 to +80°C
Humidity	15%-95% RH
Ingress Protection	IP66
IK Rating	IK10
Finish	RAL8019 Bronze
LED Driver	Built -In
Warranty	5 years

Ordering Info.

