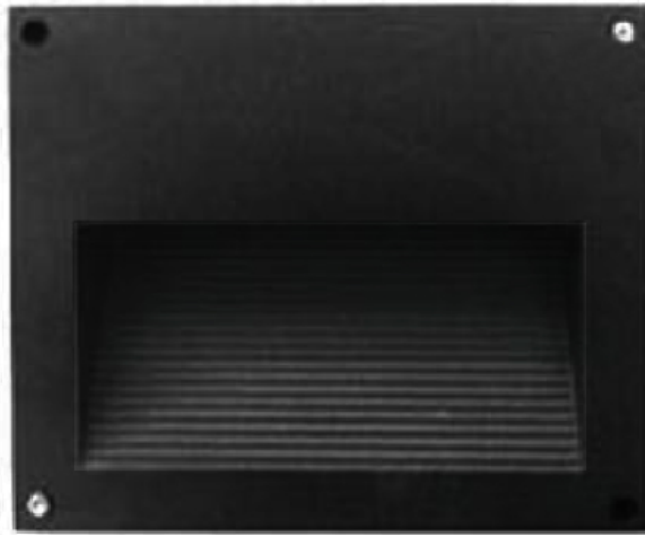




GUIDER

RECESSED WALL LIGHT



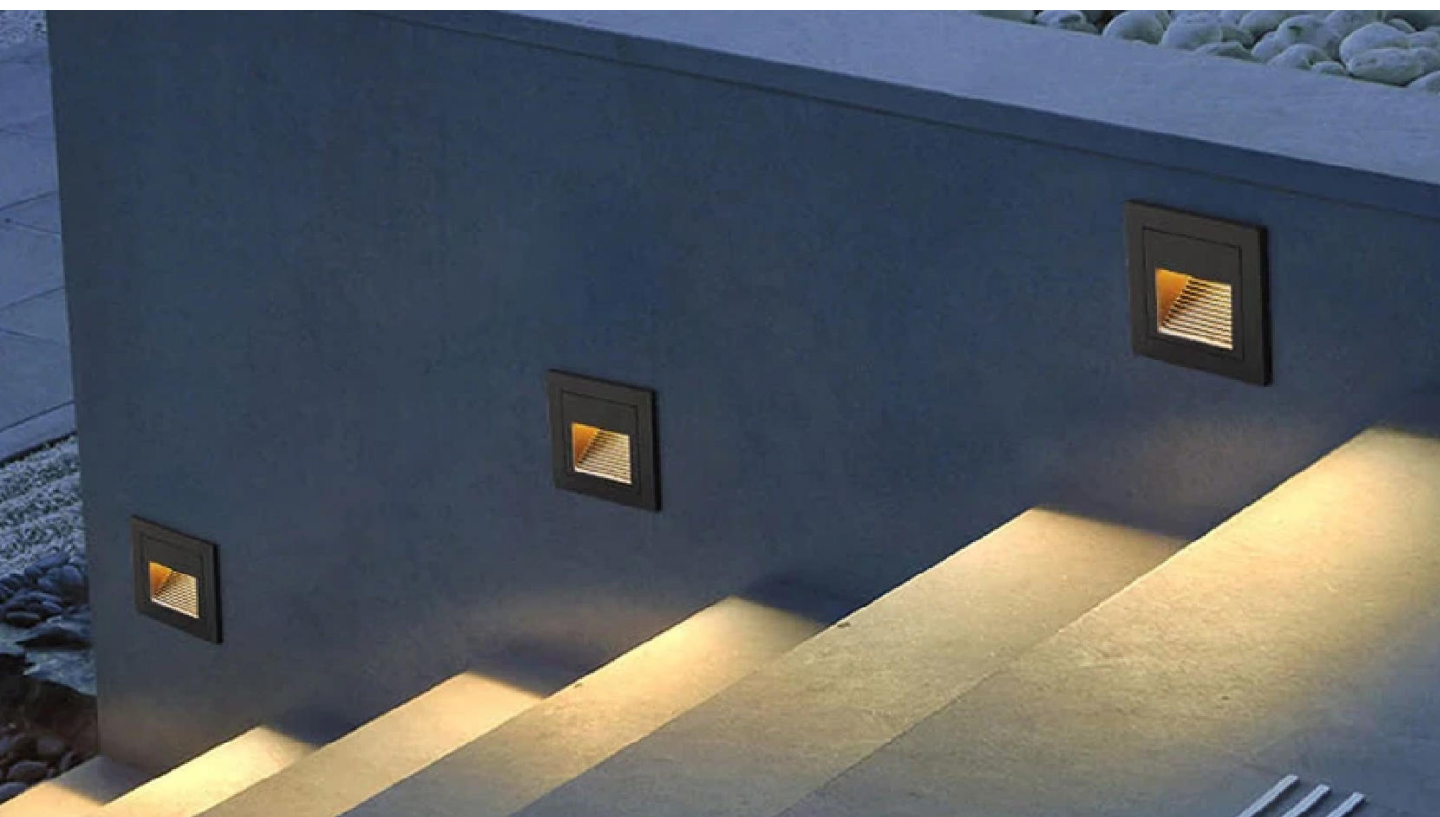
IP65

PF 0.9

CRI ≥80

CE

RoHS

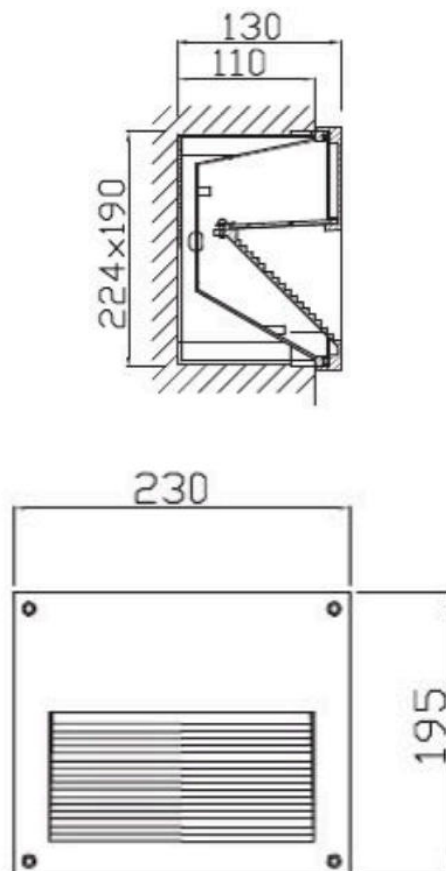


GUIDER is ELTON's compact recessed wall light, producing a clearly defined wash of light. Adopted to illuminate ground surface with downward orientation of light. Luminaire housing made of aluminium with stainless steel screws and silicone gaskets. Diffuser made of Thermal shock resistant tempered glass.

Features

- > High pressure casting aluminum lighting body
- > IP65 waterproof
- > ABS Plastic housing
- > Tempered Glass diffuser
- > Built In Driver

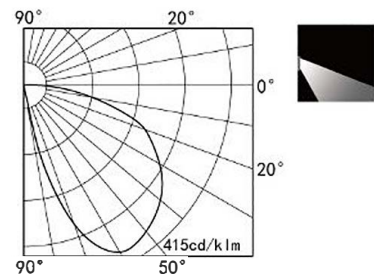
Dimensions



Parameters

AC Input Range	AC200-240V (50/60Hz)
LED	COB
CRI	>80
Installation	Recessed
CCT Range	3000K/4000K/5000K
Beam Angle	Asymmetric
Protection Class	Class I
Working Temp.	-20 to +50°C
Storage Temp.	-20 to +65°C
Driver	Built-In
Ingress Protection	IP65
Finish	Black(RAL 9011)/ Grey(RAL7015)
Lifetime(Hr)	50,000h

Power (W)	CCT	Size (L x H)	Lumens (Non-DIM) (Lm)
15	3000K	230x195	328
15	4000K	230x195	348
15	5000K	230x195	370



Ordering Info.

