

## MAGNA

WEATHERPROOF INDUSTRIAL LUMINAIRE

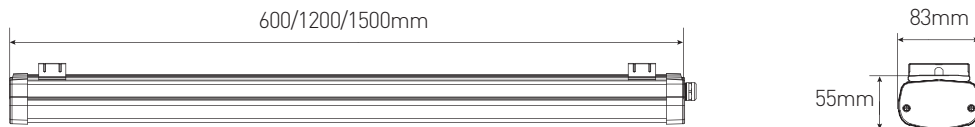


**MAGNA** is ELTON's flagship weatherproof luminaire with versatile and robust design, which makes it suitable in a wide range of industrial applications indoor or outdoor under shelter. The luminaire is supplied with V0-rated polycarbonate diffuser and powder painted aluminium heat sink with very good heat management.

## Features

- > Fast fit installation
- > Multi-function on/off,1-10V,DALI,Sensor,Emergency
- > IP65/IK08 rating
- > High efficiency up to 9750lm 150lm/W

## Dimensions



## Parameters

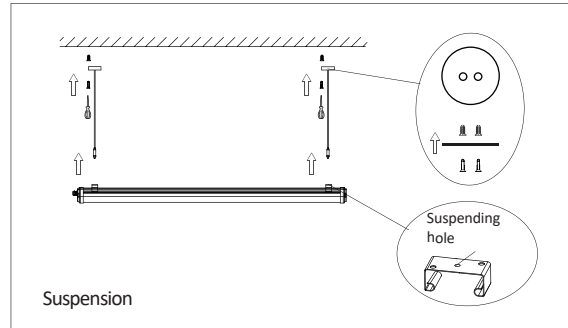
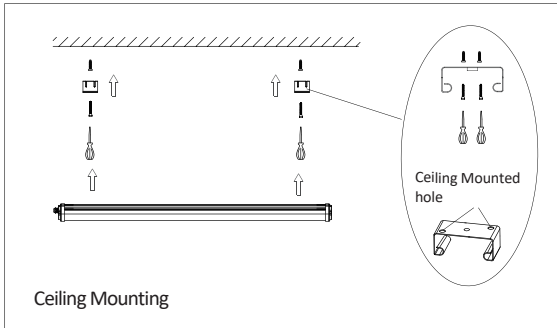
Length	Power (W)	Lumens	
		120lm/W	150lm/W
600mm	20	2400	3000
1200mm	40	4800	6000
1500mm	50	6000	7500
1500mm	65	7800	9750

### Notes:

- Above lumens based on 4000K Ra : 80
- All values in +25°C ambient temperature
- Luminous flux tolerance +-5%, power tolerance +-5%.

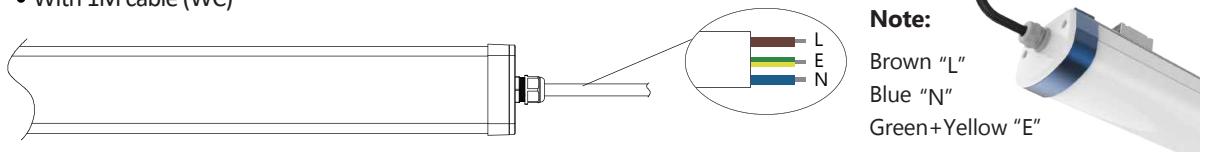
AC Input Range	198 – 264 V (50/60Hz)
DC Input Range	176 – 280 V
Light Source	2835 SDCM<5 (SDCM<3 option)
CRI Range	80 / 90
CCT Range	WW(3000K) NW(4000K) DW(5000K) CW(6500K)
Light Efficiency	120Lm/W, 150Lm/W
Beam Angle	120°
L70B10 / L70B50	@Ta 25°C : 78000h / 91000h
Working Temp.	-20 to +50°C
Storage Temp.	-40 to +85°C
Waterproof	IP65 & IK08
Warranty	5 years
Function (Optional)	Dimmable/Motion sensor/Emergency

## Mounting Options

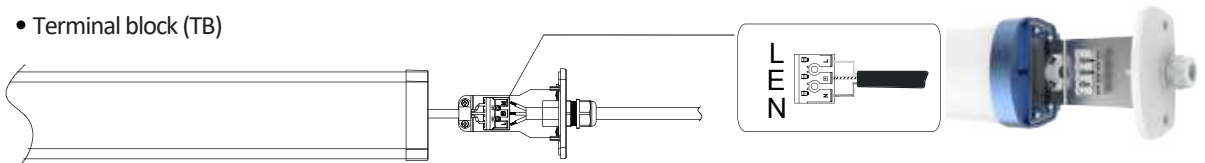


## Wiring Options

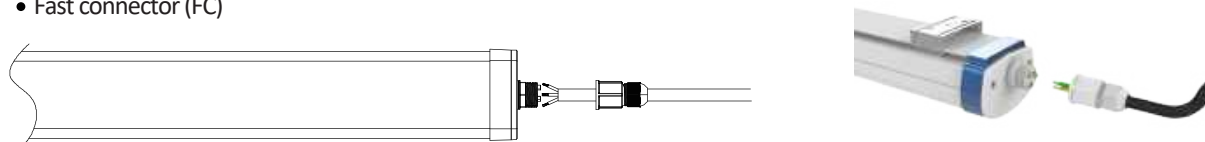
- With 1M cable (WC)



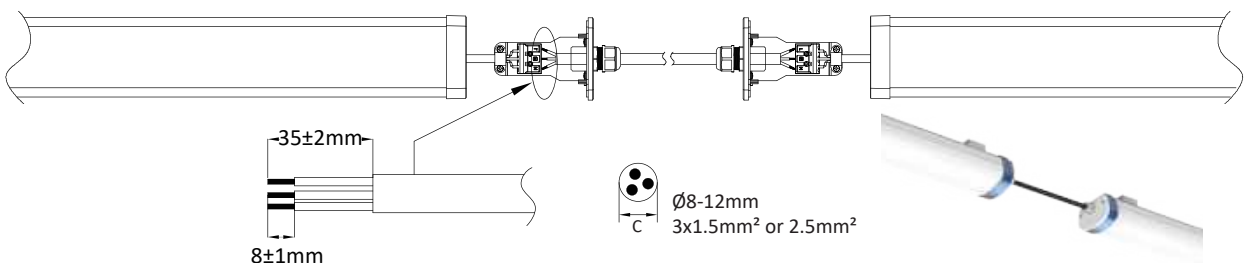
- Terminal block (TB)



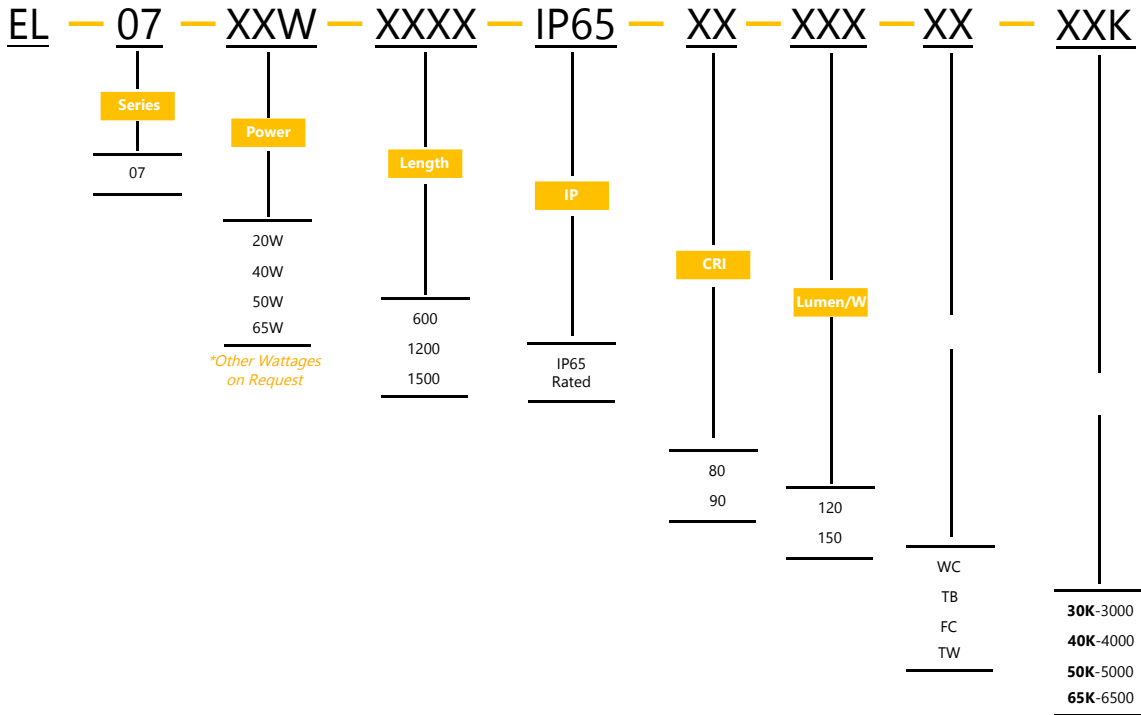
- Fast connector (FC)



- Through-wiring (TW)



## Ordering Info.



## Accessories



01



02



03



04



05

Accessories	IMAGE	DESIGNTION	MATERIAL	DESCRIPTION	QUANTITY	ACCESSORY USE
Standard	01	METAL BRACKET	Stainless steel	62x35x17.2mm	2PCS	For the absorption of suspending and ceiling mounted using.
Standard	02	SCREW	Stainless steel	4X20mm	4PCS	For the absorption of ceiling mounted using.
Optional	03	SUSPENDING CABLE	Stainless steel	1M/1.2M/1.5M/3M	2PCS	For the absorption of Suspending using.
Optional	04	WATERPROOF RUBBER PLUG	PC	M20	1PCS	For through-wiring using.
Optional	05	M20 CONNECTOR	PC	Length of thread:8mm	1PCS	For through-wiring using.