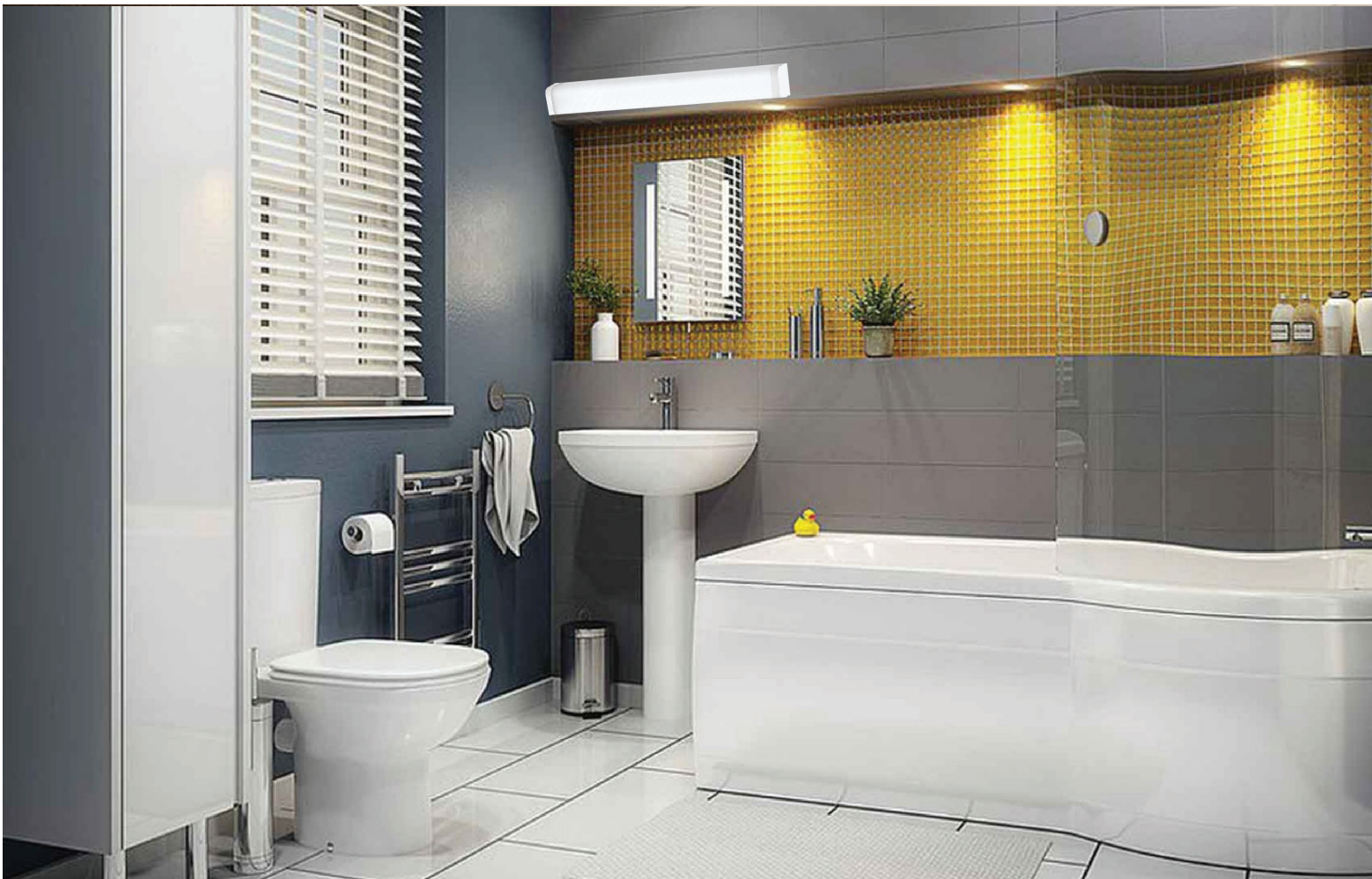


## IMAGE

### LED MIRROR LIGHT

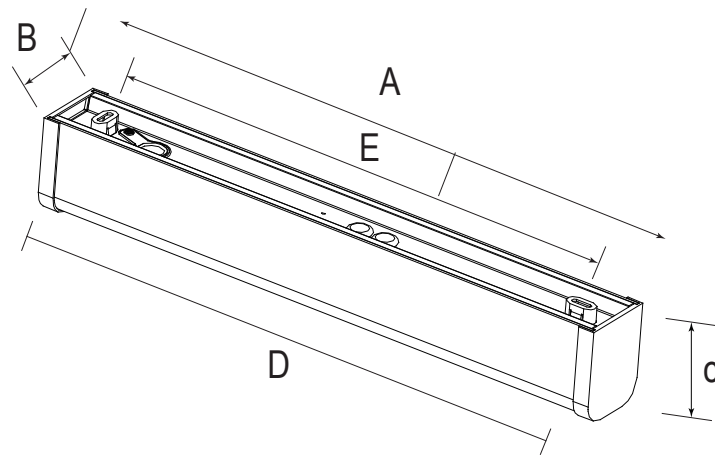


**IMAGE** is ELTON' s mirror light has a classic design, adopt high lumen SMD chip and high transmittance PC lampshade which make a uniform light output. Full PC material make a lighter weight and conformed color, convenient for assembly and packing. Luminaire housing made of polycarbonate and PC diffuser.

## Features

- > Modular design with convenient replacement.
- > High lumen efficiency.
- > IP54/IK08 high protect level.
- > Flicker free internal driver.

## Dimensions



Code	Dimension(mm)					Size(mm)
	A	B	C	D	E	
480	480	61	77.5	454	416	480x61x77.5
600	600	61	77.5	574	536	600x61x77.5
900	900	61	77.5	874	836	900x61x77.5

## Parameters

Length	Power (W)	Lumens	AC Input Range	200 – 240 V (50/60Hz)
480mm	8	950-1000lm	Watt(W)	8W/10W/15W
600mm	10	1190-1250lm	Light Source	SMD2835
900mm	15	1770-1875lm	CRI Range	>80
			CCT Range	3000K/4000K/5000K/5700K
			Light Efficiency	125lm/W
			Beam Angle	150°
			Working Temp.	-20 to +45°C
			Storage Temp.	-40 to +65°C
			IP&IK Rating	IP54 & IK08
			LED Driver	Built-in
			Installation	Surface mount

## Ordering Info.

